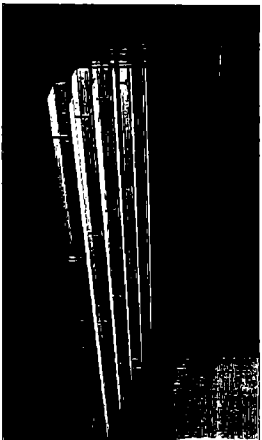


ASSEMBLY INSTRUCTIONS

1st Edition 2011



5 & 10 Row Bleacher

Instructions for all bleacher lengths.
Guardrail and toe board installation included.

90652	21" Long 5 Row Bleacher
90651	15" Long 5 Row Bleacher
90649	21" Long 10 Row Bleacher
90648	15" Long 10 Row Bleacher

97005

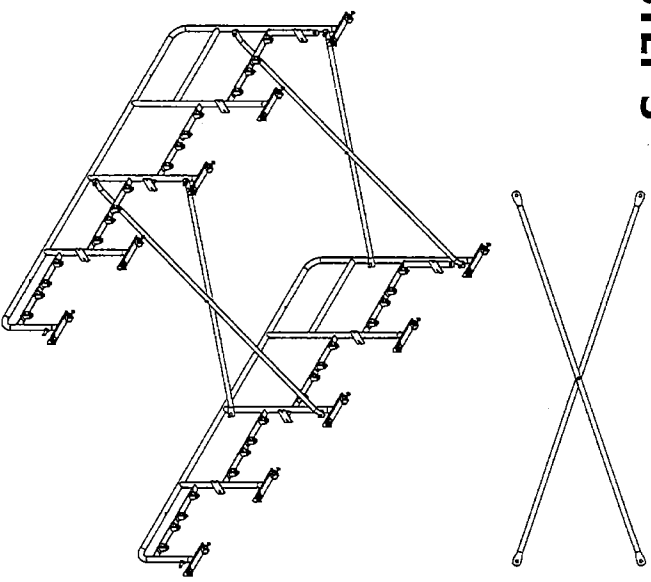
Granite
INDUSTRIES

161 Lath Rd. Lathrop, OR 97030
P: (503) 631-1000 F: (503) 631-1001
http://graniteind.com/eng/index.html

PARTS LIST

90227 5 Row Sport Frame	90286 Top Mount Assembly Kit	90139 Rear Mount Assembly Kit	90117 6 x 24" Cross Brace
90656 9" Aluminum Board Mill Top Mount	90655 9" Aluminum Board Anodized Rear Mount	90658 13" Aluminum Board Mill Top Mount	90657 13" Alum. Board Anodized Rear Mount
90660 21" Aluminum Board Mill Top Mount	90659 21" Alum. Board Anodized Rear Mount	90653 9" Aluminum Toeboard	90207 15" Alum. Toeboard
90215 21" Aluminum Toeboard	90303 Aluminum Clip	90317 Rear Guard Post	90320 Side Guard Post

STEP 3



o Attach a 6" x 24" cross brace to the two rear threaded studs on one bleacher frame using two 1/2" hex nuts.

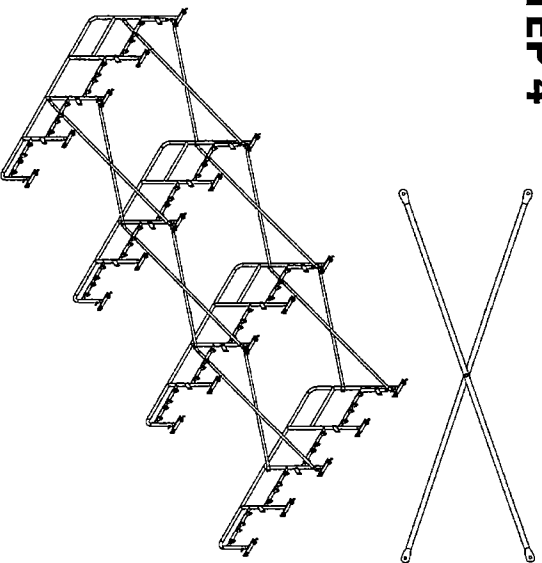
o Attach a second bleacher frame to the opposite end of the cross brace using two 1/2" nuts.

o Fasten another cross brace on the front studs of the same frames using four 1/2" nuts.

NOTE: Do not tighten 1/2" hex nut at this time.

90308 Rear Guard Panel Center	90313 Rear Guard Panel End	90316 Side Guard Panel	90311 Side Add'n Guard Panel
90646 Rear Guard Panel Single	90619 Horizontal Brace	90640 Toe Board Adapter	90472 Build Up Frame
90172 Curved Post 5/16" x 1 1/2"	901099 Hex Nut 1/2" x 1 1/2"	901039 Hex Nut 3/8" x 2 1/2"	901026 Nylon Lock Nut 3/8" x 2 3/4"
901073 Hex Bolt 1/2" x 5 1/2"	901090 Hex Nut 5/16"	901067 Hex Nut 1/2"	9010019 Nylon Lock Nut - 3/8" 1/2"

STEP 4

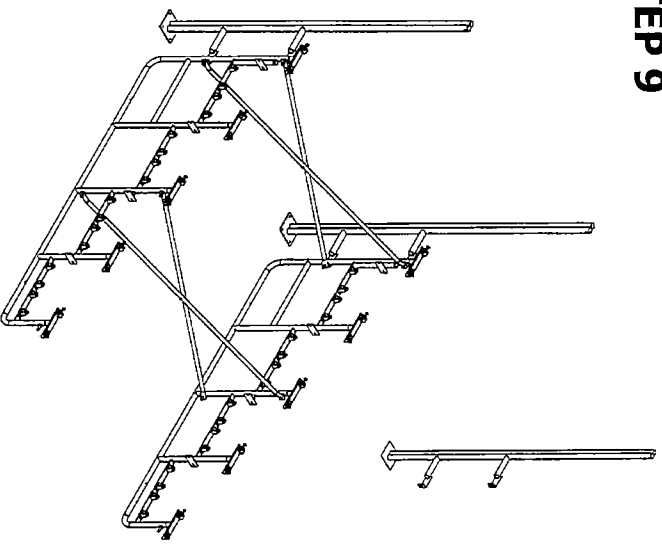


- For 90653 (9' Long Bleacher), skip to step 9.
- For 90654 (13' Long Bleacher), attach two additional 6' x 24" cross braces and one bleacher frame to the setup bay. Skip to step 9.
- For 90659 (21' Long 5 Row Bleacher), attach four additional 6' x 24" cross braces and two bleacher frames to the setup bay. Skip to step 9.

- For 90661 (21' Long 10 Row Bleacher), attach four additional 6' x 24" cross braces and two bleacher frames to the setup bay. Continue to step 5.

NOTE: Do not tighten 1/2" hex nut at this time.

STEP 9



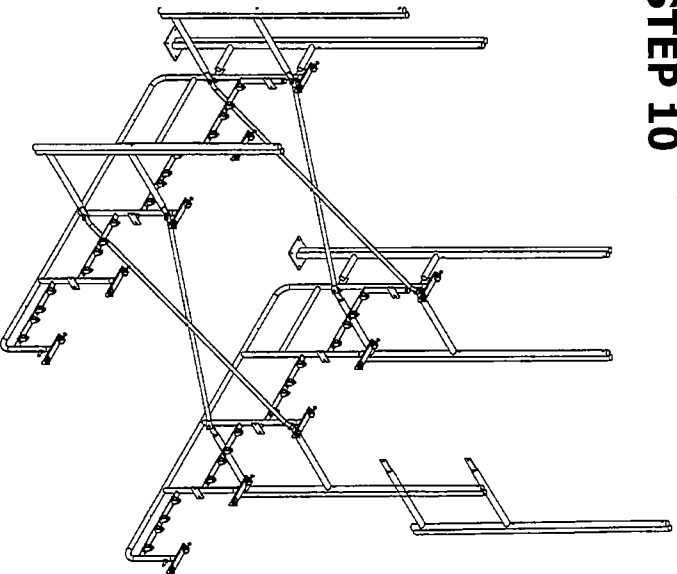
- Attach a rear guard post to the rear of the seat frame. Position the tabs on the front of the post onto the studs on the seat frame. The tabs should be located between the brace and the seat frame.

- Repeat above steps for all rear guard posts.

NOTE: The rear seat posts on the ten row bleacher will rest on, but not fasten to the built up frame.

NOTE: Do not tighten 1/2" hex nut at this time.

STEP 10



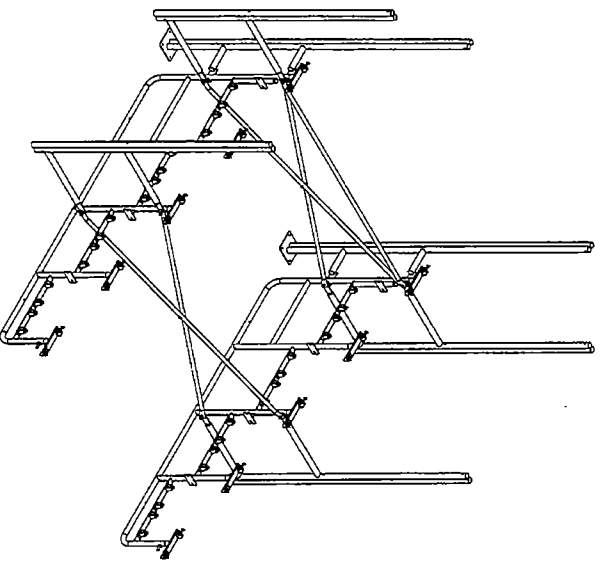
- Attach a side guard post to the side of the seat frame. Position the tabs on the front of the post onto the studs on the seat frame. The tabs should be located between the brace and the seat frame.

- Repeat above steps for all side guard posts.

NOTE: The five row bleacher systems will use four posts and the ten row will use eight posts.

NOTE: Do not tighten 1/2" hex nut at this time.

STEP 11

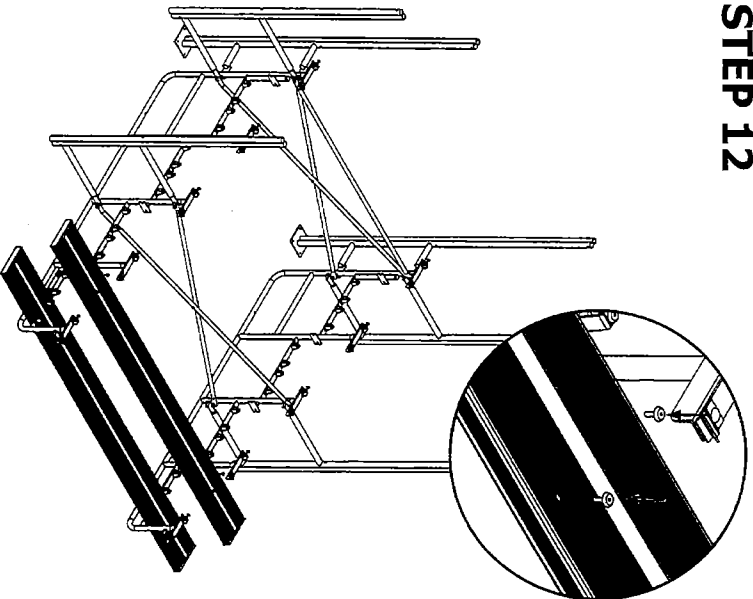


- Attach a 6" horizontal brace to the top rear studs on the seat frame as shown in the above assembly diagram.

- Repeat above steps for each bay.

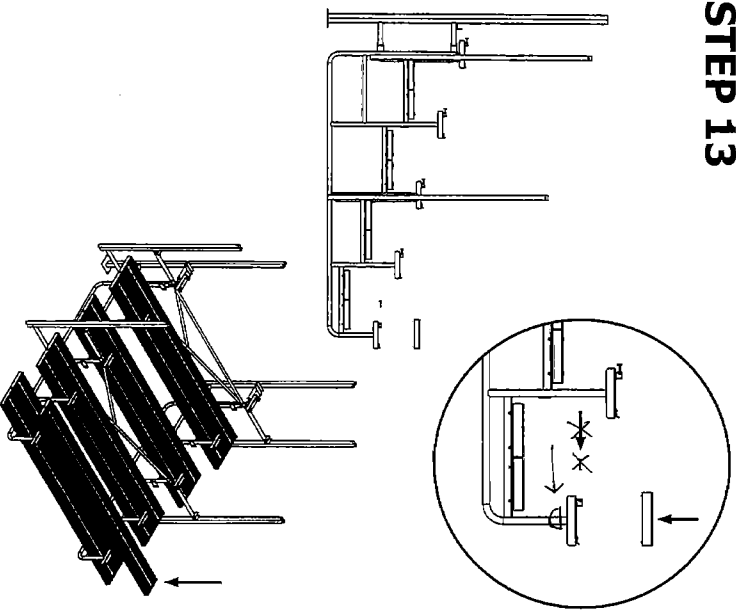
- DO tighten all 1/2" hex nut at this time.

STEP 12



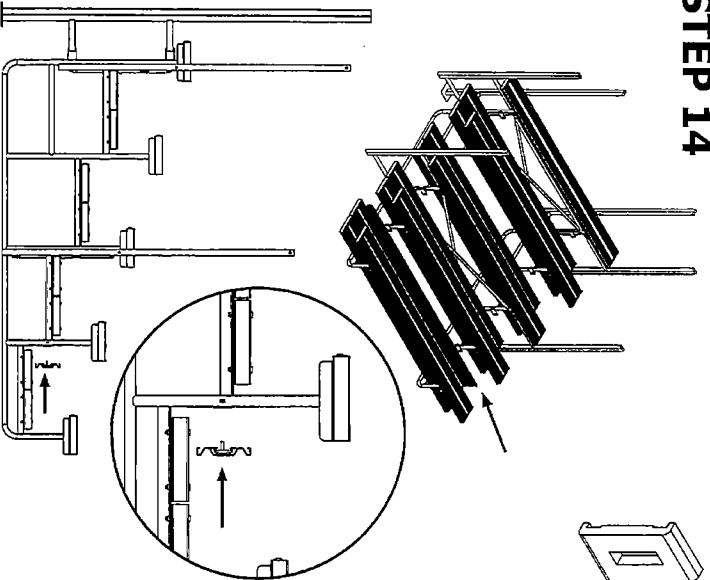
- Insert the bleacher front by inserting the ~~bleacher~~ bleacher into the seat slots in the frame. The screws will fasten through the top of each board.
- Use "D" Loop Pins, 1 per frame.
- Continue working your way up the bleacher row by row; screws should be tightened at this time.

STEP 13



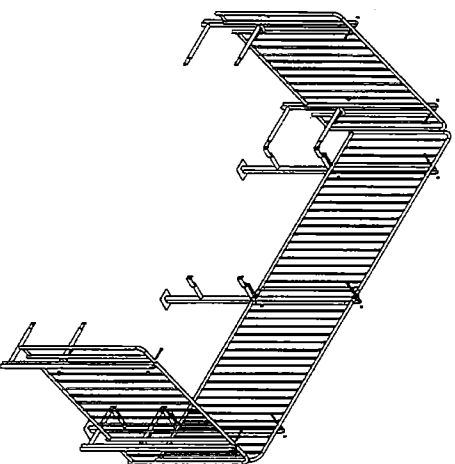
- Fasten the bottom rear board using the $7/8 \times 1 1/4$ screws that were set aside in step two. The screws fit per frame and fasten through the back of each board.
- Use "D" Loop Pins, 1 per frame.
- Continue working your way up the bleacher row by row; screws should be tightened at this time.

STEP 14



- Starting below the second row, fasten the backboard to the small plates on the bleacher frame using the one $5/16 \times 1-1/4$ carriage bolt, $5/16$ " flange nut and aluminum attachment clip per frame. Either the slot or the hole in this plate can be used in this step.
- Continue working your way up the bleacher row by row; bolts should be tightened at this time.

STEP 16



- This step is for 91654 (15'1 long Bleacher), other setups should continue to next step.
- Attach one $7/12$ " rear guard rail panel to two of the rear posts on the bleacher. Use the two holes along the top and bottom rails of the panel and the slots in the posts. Two $1/2 \times 5/8$ " hex bolts, two $1/2 \times 4-1/2$ " hex bolts and four $1/2 \times 13$ nylon locknuts should be used. Use the $4-1/2$ " bolts on the middle post.

- Attach the second rear panel, in the next bay, as described above.
- Attach a side guard rail panel to the two side posts on the bleacher. Use the two holes along the top and bottom rails of the panel and the slots in the posts. Four $1/2 \times 5/8$ " hex bolts and $1/2$ " nylon locknuts should be used.
- Attach second side guard rail panel, on opposite side of bleacher, as described above.

NOTE: Do tighten $1/2$ " hex nuts at this time.