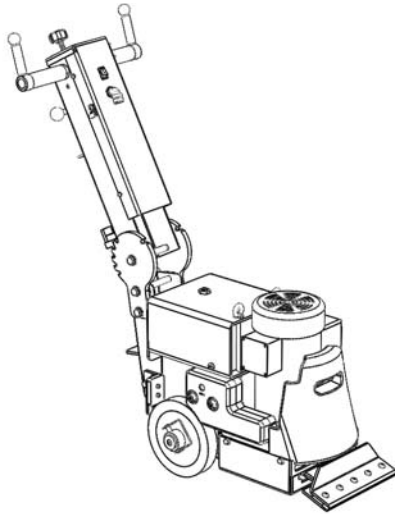


6280 COMMANDER SELF-PROPELLED SCRAPER

6280 Self-Propelled Scraper



DIRECTIONS FOR USE AND SAFETY INSTRUCTIONS

The 6280 Commander self-propelled scraper is only intended for stripping adhered, soft good floor coverings. Any other use is considered improper.

ATTENTION!

Improper use can cause injury to the operator and damage to the machine.

Read the manual thoroughly before use!

Product Specifications

Width	Height	Length	Weight	Speed
33 cm (13")	104.1 cm (41")	69.9 cm (27.5")	161kg (354 lbs)	3-14 m/min (10-45 ft/min)
HP	Amps	Sound Level	RPM	
1.5	13 max	78-86 dB	3450	

Tech Data

GENERAL RULES FOR SAFE OPERATION

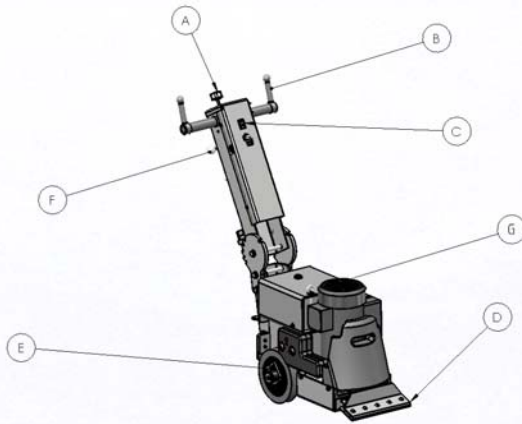


- Read and keep all instructions for future use - Before use, be sure everyone operating this equipment reads and understands the manual and labels.
- Disarm machine - Remove cutting blade when machine is not in use.
- Avoid dangerous environments - Do not use in rain, damp or wet locations or in the presence of explosive atmospheres. Remove materials or debris that may be ignited by sparks.
- Dress properly - Do not wear loose clothing. Loose clothing might get caught in moving parts. Keep hands and gloves away from moving parts.
- Keep work area clean and well lit - Cluttered, dark work areas invite accidents.
- Check for damaged parts - Inspect guards and other parts before use. Check for misalignment, binding, improper mounting, broken parts or any other condition that may affect operation.
- Guard against electric shock - Prevent body contact with grounded surfaces such as pipes, battery plug connections, radiators, ranges and refrigerators. Prior to scoring or making cuts always check for hidden wires or pipes to reduce shock hazards.
- Do not force equipment - For best production rates, use equipment properly. Excessive force will cause operator fatigue, increased wear and reduced control.
- Keep hands and feet away from cutting edges and moving parts.
- Wear gloves when changing blades.
- Maintain control - Keep proper footing and balance at all times. Maintain a firm grip.
- Do not abuse cord - Never unplug the machine by pulling the cord from the outlet. Pull plug rather than cord to reduce risk of damage. Keep cord away from heat, oil, cutting edges and moving parts.
- Stay alert - Do not use when you are tired, distracted or under the influence of drugs, alcohol or any medication causing decreased control.
- Wear safety glasses, work boots and proper equipment when operating equipment and working in the area with equipment use.
- Do not "side hill" machine - Operate machine on level ground, never leave machine unattended on an incline.

Warning: Silica Dust Warning

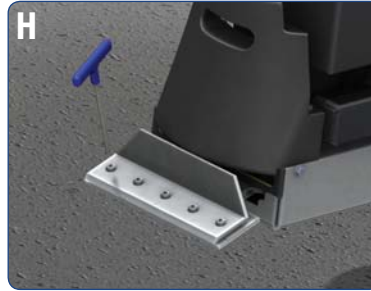
Scraping, grinding, cutting, drilling of masonry, concrete, metal and other materials can generate dust, mists, and fumes containing chemicals known to cause serious fatal injury or illness, such as Respiratory disease, cancer, birth defects, or other reproductive harm. Control dust, mists, and fumes at the source where possible. In this regard use proper work practices and follow the recommendations of the manufacturer, OSHA, and occupational and trade associations. When the hazards from inhalation of dust, mists and fumes cannot be eliminated, the operator and bystanders should always wear a respirator approved by OSHA/MSHA for the material being cut.

Operating Functions



- | | |
|---------------------------|---------------------------|
| A. Speed Control Knob | E. Wheel Lock Pin |
| B. Forward/Reverse Handle | F. Handle Adjustment Knob |
| C. On/Off Switch | G. Lifting Eyes |
| D. Cutting Head | |

Preparation

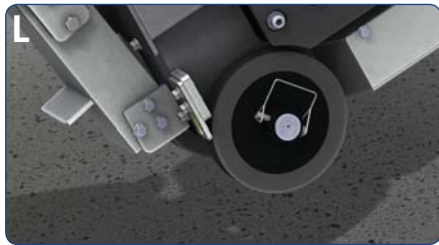


1. Make sure machine is OFF before plugging machine into power source.
2. Ensure all moveable parts are free of obstructions.
3. Visually inspect all parts and electrical connections for problems (Corrosion, sparks, arcing).
4. Tilt machine back and place wood block underneath to raise the blade holder.
5. Use T-Handle Allen Wrench to loosen five blade cover bolts (Fig H).
6. Place blade into cutting head, sliding blade all the way back to until it is seated flush against the lower cutting head notch.. Make sure blade is centered in the cutting head (Fig I).
7. Securely tighten mounting bolts.

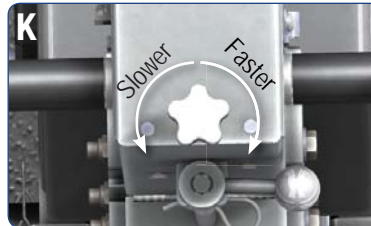
Transport

ATTENTION: REMOVE CUTTING BLADE FOR TRANSPORT

- Use transport wheels to help eliminate damage to flooring and to make movement of unit easier.
- To install transport wheels, remove two outside blade cover bolts, tilt machine back and place wood block below front high enough for front wheel assembly to fit under.
- Mount front wheel assembly over blade cover and securely tighten blade cover bolts.
- Have wheels in the "engage mode" by securing with axle pins (Fig E).
- Use lifting eyes to make loading/unloading easier when not using a ramp.



Usage



1. Make sure machine is OFF before plugging machine into power source (Fig J).
2. Turn speed control knob to desired travel speed position.
3. Push "ON/OFF" switch to ON position.
4. Using the forward/reverse handle, push/pull handle to move scraper forward or to reverse.
5. Increase the speed control to desired speed. This can be adjusted while the machine is running (Fig K).

ATTENTION: TURNING THE SPEED CONTROL KNOB COUNTER CLOCKWISE WILL MAKE THE MACHINE RUN SLOWER. TURNING THE SPEED CONTROL KNOB CLOCKWISE WILL MAKE THE MACHINE RUN FASTER.

NOTE: IF KNOB IS TURNED COUNTER-CLOCKWISE UNTIL IT NO LONGER ROTATES, THE SCRAPER WILL NOT MOVE FORWARD.

Operating Functions

1. Turn switch to OFF position and then unplug machine from power source.
2. Remove axle pins to disengage wheels. Store axle pins by attaching them to lifting eyes when not engaged in wheel axle.
3. Clean dust and debris from vents, keep the equipment handle clean, dry and free of oil or grease. Remove any glue or adhesive from the scraper wheels and wheel axle.
4. Clean machine using mild soap and damp cloth, do not subject the motor, motor box, capacitor box and switch to high pressure jets of water.
5. Thoroughly dry machine before use. Do not use machine when wet or damp.

*IN COMPLIANCE WITH THE COUNTRY OF ORIGINS POWER REQUIREMENTS, OPERATE USING 50 FOOT 12 GAUGE/15 METER 2.5MM EXTENSION CORD ONLY.