

Introduction

Thank you for purchasing this Stinger Equipment, Inc. product.

This manual will explain the safety, maintenance, and operation of your unit.

Safety

All operators should:

- Read the operator's manual in its entirety before operating.
- Be adequately trained on the controls and their functions.
- Be over the age of 18
- Be free of any impairments
- In good physical health
- Stop usage before overexertion
- Wear Personal Protective Equipment including, but not limited to hearing protection, steel toe boots, safety glasses, gloves and, high visibility clothing
- Ensure all safety equipment, shields, and covers are in place and free of defects. Do not use this equipment if any guards or safety decals are not in place.
- Perform an inspection of the unit before each use. Ensure all fasteners are secure, the tires are properly inflated, and the engine oil level is correct.
- Never place hands or feet near the tines or other moving components

Safety (continued)

All operators should:

- Operate outdoors in well-ventilated areas
- Do not operate on slopes great than 15 degrees or in hazardous conditions
- Realize conditions could cause even moderate slopes to be too steep. Discontinue immediately if the machine can't cross straight across an incline.
- Do not use if terrain exceeds skill or comfort level.
- Clear the worksite of foreign objects, pets, and people
- Always consider what might be below the turf before aerating. Does the property have underground utilities, an invisible dog fence, low voltage lighting, irrigation, etc.
- Calling 811 and/or a private locate company to mark utilities

Refueling the unit:

- Use an OSHA approved fuel can
- Do not fuel while the unit is running or hot
- No smoking while refueling
- Do not refuel around any source of ignition including sparks and flames
- Refuel only outside and on level ground
- Do not overfill the unit
- Secure the fuel cap

Operation

Preparing to Aerate

1. Clear the worksite of people, pets, and foreign objects
2. Mark underground sprinklers and utilities
3. Ensure ground is moist. Watering the day before aeration can produce the best results.
4. Ensure all shields, guards and decals are in place.

Starting and Stopping the Engine

1. When the engine is cold pull the throttle/choke all the way back to set choke, as shown in figure 1.
2. Give a quick pull to the recoil to start the engine.
3. Allow the unit to warm up and slide the throttle forward to the desired rpm.
4. To turn the engine off, move the throttle/choke lever fully forward.

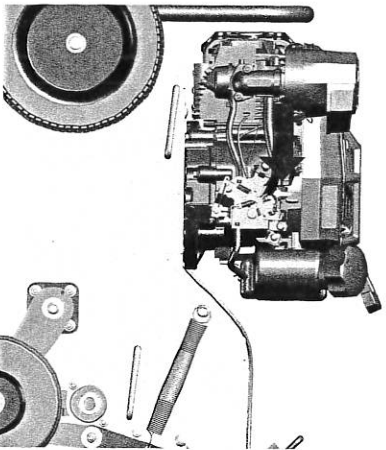


Figure 1

Usage

1. Lower aeration tines into the ground by lowering the tine handle, as shown in figure 2.



Figure 2

2. Squeeze the motion control bar as shown in Figure 10 to move the unit forward. The more pressure applied, the greater the speed.

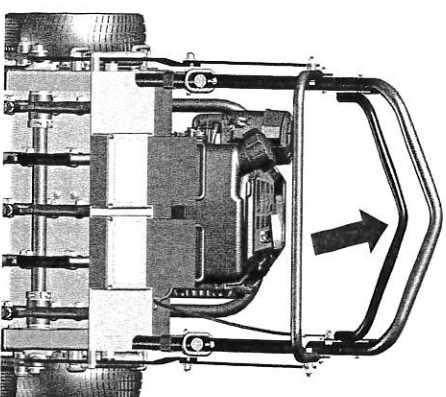


Figure 3

Usage (continued)

3. Release the motion control bar to stop the unit's movement.
4. Push the handle bars in the opposite direction you want to turn. The greater the push the faster the unit will turn.
Note: Outline the property and continue in descending circles. Most turns can be made with the tines in the ground. For 180 degree turns lift the tines out of the ground by raising the tine handle. Rotate the unit into position and lower the tines
6. Always lift tines before crossing over concrete, tree roots, and other hard surfaces.

First Time Use

1. Operate the unit at low speed and in a wide-open area.
2. Practice making wide turns first and tighter turns as you get used to using the machine and the controls.
3. You do not have to raise the tines to make most turns. Raise the tines to transport the unit across hard surfaces, as severe damage may occur.

Transport

Folding Handles

- Slide lock rings up and over the bolt as shown in figure 4
Note: If the lock ring is tight, wiggle the handlebars
- Fold the handle bars forward

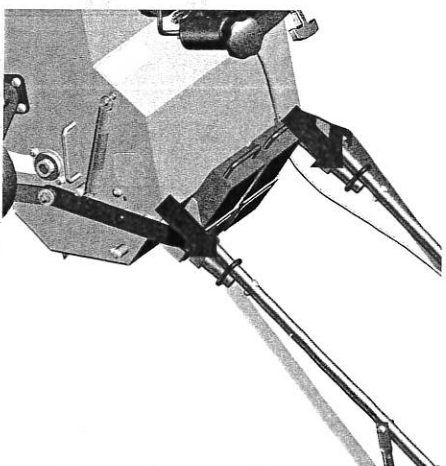


Figure 4

Loading

⚠ WARNING

Unit exceeds 100lbs always use TEAM LIFT.

- Turn engine off
- Shut fuel off
- Remove weights
- Utilize the four lifting handles as shown in figure 5.

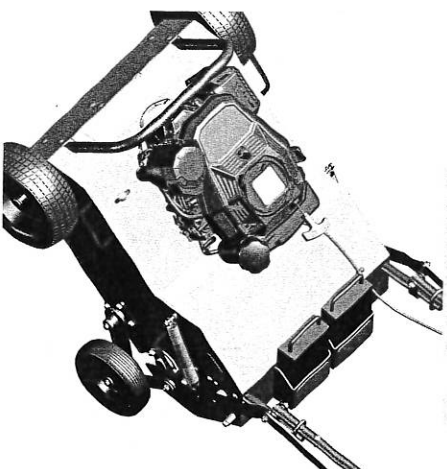


Figure 5